

Model 145 Wheel Drives - Double Reduction

Power Wheel®

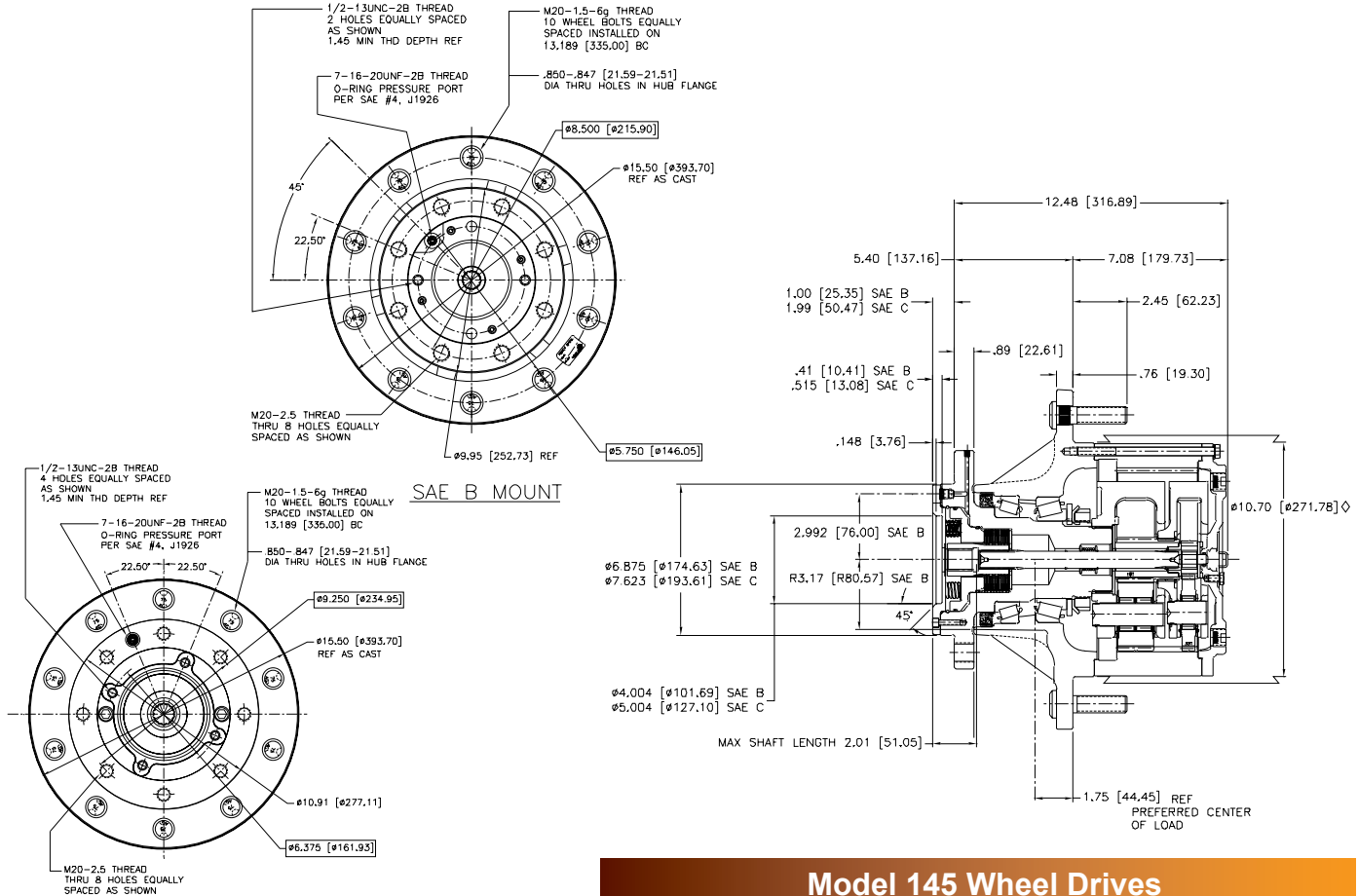
GENERAL SPECIFICATIONS

Max. intermittent output torque¹: 145,000 lb-in (16,400 N-m)
Max. input speed²: 5,000 RPM

Approximate weight: 205 lbs (93 kg)
Oil capacity: 67 oz (1,981 cc)

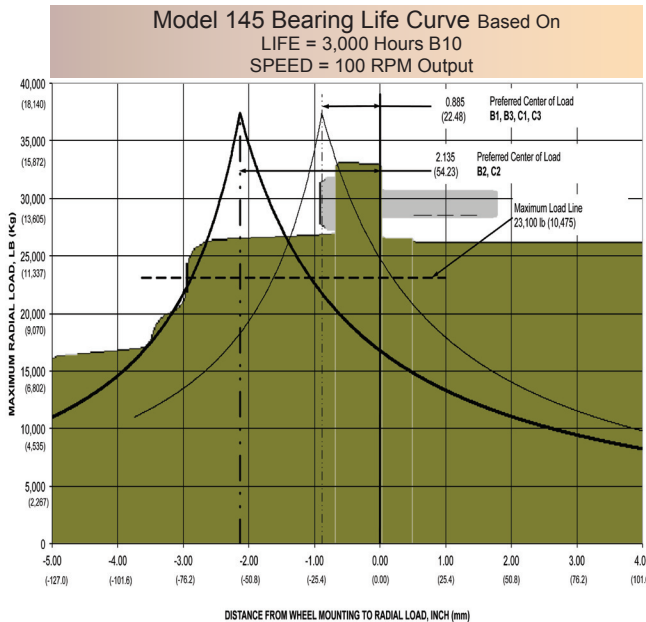
¹ Depending on the duty cycle and the nature of the application, a normal continuous output torque of 1/3 to 1/2 of the maximum intermittent should yield satisfactory Power Wheel life. Customer testing and application analysis is strongly recommended.

² For A2 and N series brake units, please contact Auburn Gear for input speeds above 4,000 rpm for application analysis.



Model 145 Wheel Drives

Options	Description	Make all selections within one column							Order Codes	Use option order codes to build order code number				
MOTOR PILOT / HUB	WA2	*	*	*	*	*	*	*	145WA2					
	WA4	*	*	*	*	*	*	*	145WA4					
	WB1	*	*	*	*	*	*	*	145WB1					
	WB2	*	*	*	*	*	*	*	145WB2					
	WB3	*	*	*	*	*	*	*	145WB3					
	WB7	*	*	*	*	*	*	*	145WB7					
	WC1	*	*	*	*	*	*	*	145WC1					
	WC2	*	*	*	*	*	*	*	145WC2					
INPUT SPLINE	13T 16/32	*	*	*	*	*	*	*	13					
	14T 12/24	*	*	*	*	*	*	*	14					
	15T 16/32	*	*	*	*	*	*	*	15					
	21T 16/32	*	*	*	*	*	*	*	21					
RATIO OPTIONS	30.50:1	*	*	*	*	*	*	*	30					
	34.50:1	*	*	*	*	*	*	*	34					
	49.00:1	*	*	*	*	*	*	*	49					
WHEEL STUDS	5/8" x 2.37"	*	*	*	*	*	*	*	8					
	3/4" x 3.21"	*	*	*	*	*	*	*	11					
	M20 x 1.5 x 80mm	*	*	*	*	*	*	*	19					
	None	*	*	*	*	*	*	*	0					
PARKING BRAKE	3200 lb-in/220psi	*	*	*	*	*	*	*	B5					
	3600 lb-in/230psi	*	*	*	*	*	*	*	B6					
	4200 lb-in/280psi	*	*	*	*	*	*	*	B7					
SPECIAL FEATURES	2800 lb-in/125 psi	*	*	*	*	*	*	*	N4					N4
	Multi-Lip Seal	*	*	*	*	*	*	*	T					T
	Brake Disc Holes	*	*	*	*	*	*	*	DH					
	Boot Seal	*	*	*	*	*	*	*	Z					
	Pipe Plugs/ Spindle Side	*	*	*	*	*	*	*	P					
	Quick Disconnect	*	*	*	*	*	*	*	Q					
									145WB7	15	34	19	N4	T



Model 145 Shaft - Spindle Output - Swing Drives

Double Reduction

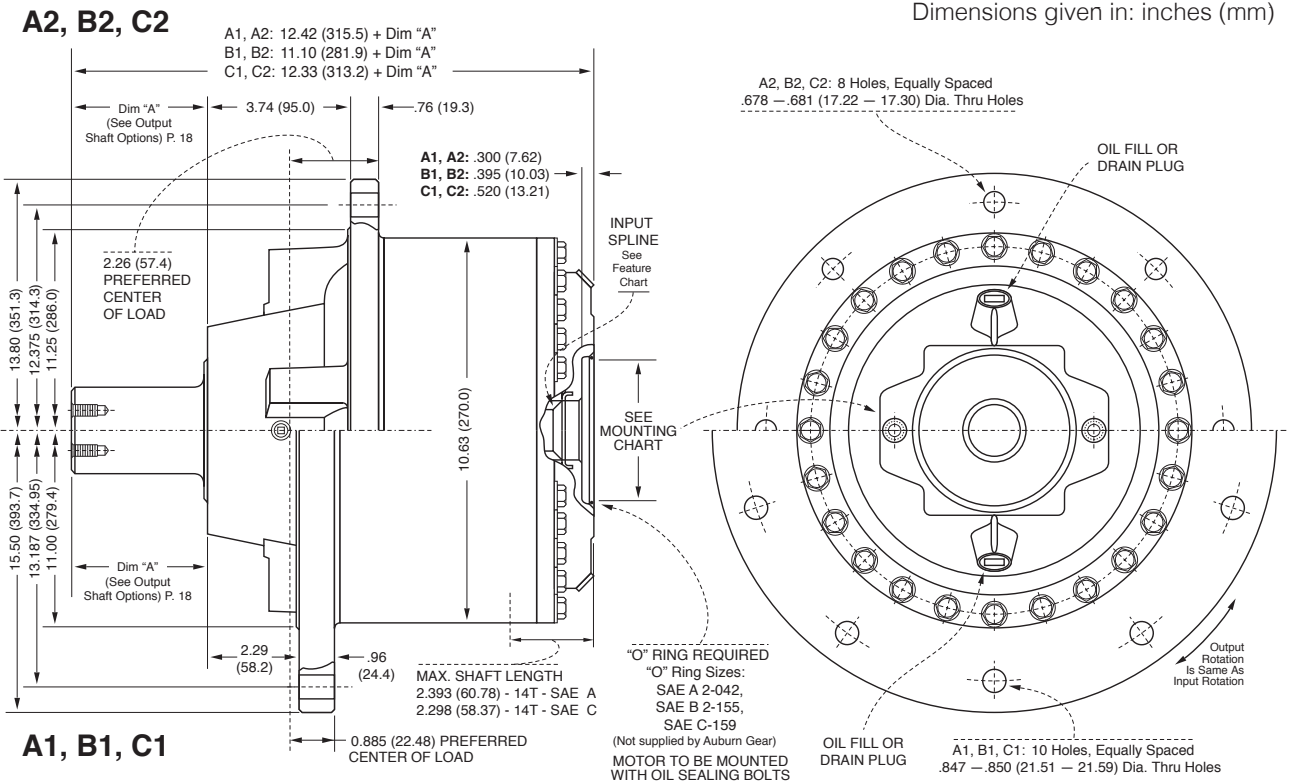
Power Wheel®

GENERAL SPECIFICATIONS

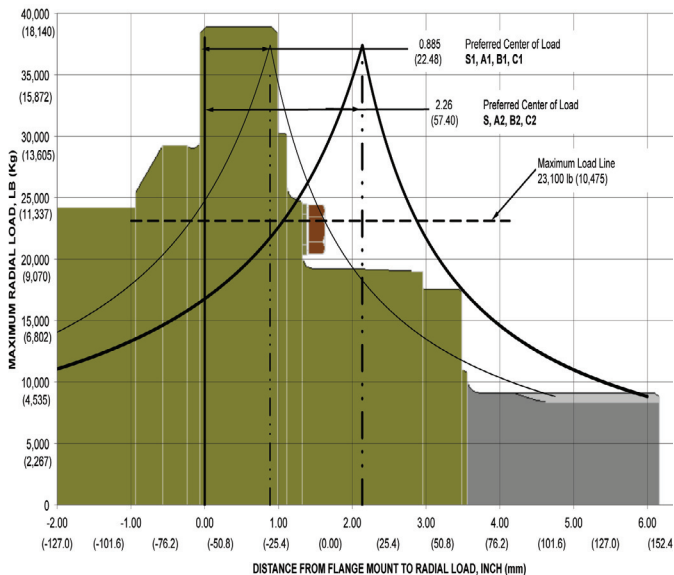
Max. intermittent output torque¹: 145,000 lb-in (16,400 N-m)
 Max. input speed²: 5,000 RPM

Approximate weight: 194 lbs (88 kg)
 Oil capacity: 67 oz (1,981 cc)

¹ Depending on the duty cycle and the nature of the application, a normal continuous output torque of 1/3 to 1/2 of the maximum intermittent should yield satisfactory Power Wheel life. Customer testing and application analysis is strongly recommended.
² For A2 and N series brake units, please contact Auburn Gear for input speeds above 4,000 rpm for application analysis.



Model 145 Bearing Life Curve Based On
 LIFE = 3,000 Hours B10
 SPEED = 100 RPM Output



Model 145 Shaft & Spindle Out & Swing Drives*

Options	Description	Make all selections within one column					Order Codes	Use option order codes to build order code number					
MOTOR PILOT/HUB*	A1	*	*	*	*	*	145SA1	145SC1	14	50	23L	B7	TP
	A2	*	*	*	*	*	145SA2						
	B1	*	*	*	*	*	145SB1						
	B2	*	*	*	*	*	145SB2						
	C1	*	*	*	*	*	145SC1						
	C2	*	*	*	*	*	145SC2						
INPUT SPLINE	13T 16/32	*	*	*	*	*	13	14	50	23L	B7	TP	
	14T 12/24	*	*	*	*	*	14						
	RATIO OPTIONS	31.50:1	*	*	*	*	*						31
	35.50:1	*	*	*	*	*	35	14	50	23L	B7	TP	
	50.00:1	*	*	*	*	*	50						
OUTPUT SHAFTS** & SPINDLES	2.5" Hex	*	*	*	*	*	H1	145SC1	14	50	23L	B7	TP
	2.625" Hex	*	*	*	*	*	H2						
	3.0" Keyed	*	*	*	*	*	K2						
	20T - 8/16	*	*	*	*	*	20						
	23T - 8/16	*	*	*	*	*	23S						
	23T - 8/16 (8) 5/8 - 11 holes on a 9.50" B.C. (8) thru holes on a 9.50" B.C. (8) 3/4 - 10 holes on a 9.50" B.C.	*	*	*	*	*	23L						
PARKING BRAKE	3200 lb-in/220psi	*	*	*	*	*	B5	145SC1	14	50	23L	B7	TP
	3600 lb-in/230psi	*	*	*	*	*	B6						
	4200 lb-in/260psi	*	*	*	*	*	B7						
	2400 lb-in/135psi	*	*	*	*	*	B4						
	3600 lb-in/185psi	*	*	*	*	*	B6						
	4200 lb-in/210psi	*	*	*	*	*	B7						
SPECIAL FEATURES	Multi-Lip Seal	*	*	*	*	*	T	145SC1	14	50	23L	B7	TP
	Brake Disc Holes	*	*	*	*	*	DH						
	Boot Seal	*	*	*	*	*	Z						
	Pipe Plugs/ Spindle Side	*	*	*	*	*	P						
	Debri Guard #1	*	*	*	*	*	G						
	Debri Guard #2	*	*	*	*	*	G1						

* Swing Drive Hub arrangements available - contact Auburn Gear
 ** Output Pinion Gears for swing drives also available - contact Auburn Gear

Model 145 Features

- Enhanced gear technology provides **more power density** without increasing external dimensions
- Precision computer-aided bearing setting allows for **optimal bearing life**
- Optimized carrier designs provide for greater resistance to shock and torsional loads, hence **increasing gear box life**
- Increased bearing capacity allows for **additional radial load**



400 East Auburn Drive
Auburn, Indiana 46706-3499 • USA
ph: 260.925.3200
fx: 260.925.4725
e-mail: powerwheel@auburngear.com
web: <http://www.auburngear.com>

Model 145
Power Wheel[®]
Planetary Gear Drive